

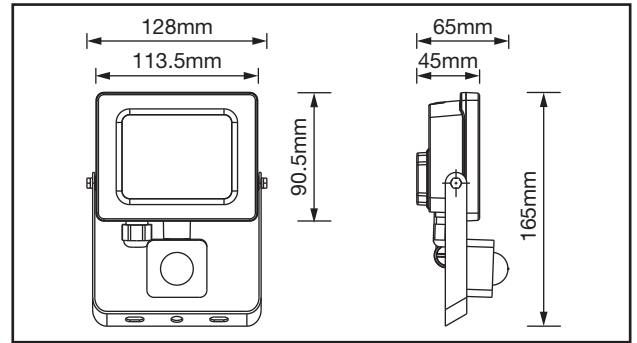
AFL010/CCT/PIR/**

10W IP65 Slim Design
CCT Selectable PIR Floodlight



PRODUCT FEATURES

- IP65 Rating
- CCT Selectable (3000K/4000K/6000K)
- Fully Adjustable PIR
- Manual Override
- Detection Angle: 120 Degrees
- Detection Range: 2-10 Meters
- Hold Time: 10 Sec +/- 5 second to 10 Min +/- 2 Min
- Lux Setting: 3-2000 Lux
- Active Occupancy Monitoring Sensor
- Slimline Diecast Aluminium Body



TECHNICAL SPECIFICATIONS

PRODUCT CODE	AFL010/CCT/PIR/**
Rated Power	10W
Housing Colour	Carbon Black / Polar White
Operating Voltage	220-240V
Frequency	50-60Hz
CRI	>80
Power Factor	>0.9
Beam Angle	120°
Lifetime to LM70	<30,000 Hrs
Operating Temperature	-25°C~+40°C
SDCM	<6
Starting Time	0.5sec
Ingress Protection	IP65
LED Chip Type	SMD2835
Guarantee	2 Years
Detection Angle:	120°
Detection Range	2-10m
Hold Time:	10 Sec +/- 5 Second To 10 Min +/- 2 Min
Lux Setting:	3-2000 Lux
Useful Luminous Flux: 3000K / 4000K / 6000K	≤751lm / ≤889lm / ≤807lm
CCT	3000K / 4000K / 6000K
Switching Cycles	≤15,000
Peak Intensity 3000K / 4000K / 6000K	353cd / 412cd / 369cd
Class	I



Carbon Black*
AFL010/CCT/PIR/BK



Polar White*
AFL010/CCT/PIR/WH



*Sold Separately